

MONA PLANTSAVA TANK 1, 2, 4, 6, 10 & 25

Urban Tree Planting
& Tree Irrigation

Installation Instructions



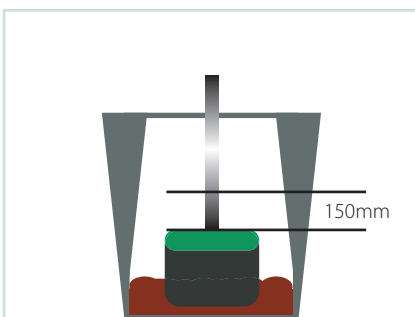
1

Choose the appropriate Mona tank for your container.



2

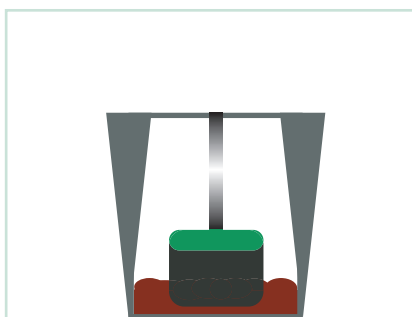
Install a drainage layer or soil layer in the container. Ensure this is level.



3

Position the Plantsava tank within the container ensuring the capillary leg top is a maximum of 150mm from the lowest roots of the plant(s).

If necessary, adjust the base soil layer to achieve the correct tank position.



4

Fill the capillary leg with loose (not compacted) topsoil. Make sure the filler pipe is accessible and the top is flush with the finished soil level.

If necessary, the filler pipe can be cut to the required height.

Contents



- 1 Mona Plantsava Unit
- 2 Capillary Leg
- 3 Mona Plantsava Lid
- 4 Filler Pipe and Water Level Assembly

Plantsava Tank Sizes

Tank 1

15cm x 6.5cm - 21cm filler pipe
Holds 1L of water
Suitable for 2.5L - 8L planters

Tank 2

21cm x 6.5cm - 33.5cm filler pipe
Holds 2L of water
Suitable for 5L - 16L planters

Tank 4

24cm x 10cm - 46cm filler pipe
Holds 4L of water
Suitable for 15L - 40L planters

Tank 6

24cm x 15cm - 59cm filler pipe
Holds 6L of water
Suitable for 20L - 60L planters

Tank 10

39cm x 10cm - 59cm filler pipe
Holds 10L of water
Suitable for 30L - 100L planters

MONA PLANTSAVA TANK 1, 2, 4, 6, 10 & 25

Urban Tree Planting
& Tree Irrigation



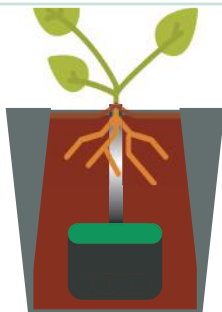
5

If your filler pipe needs cutting down, also cut the water level indicator flush with the top.



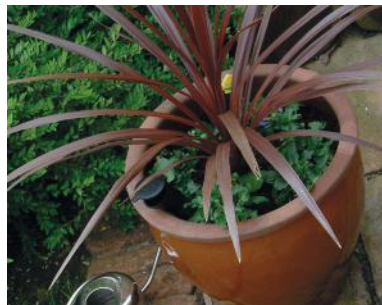
6

Fill the Plantsava tank with water to ensure all connections are water tight.



7

Back fill the entire container and plant as per design. Finally, activate the capillary process by giving the entire area a good surface watering to ensure good soil penetration.



8

Should the Plantsava tank system become empty, refill the system and repeat surface watering to reactivate the capillary process.

Tank 25

42cm x 42cm x 21cm - 59cm filler pipe
Holds 25L of water
Suitable for 75L - 250L planters

Benefits

- ✓ Simple to install and an effective irrigation solution
- ✓ 100% water efficient - reduces over-watering and wastage
- ✓ Robust and secure while being discreet
- ✓ Helps establish bigger, stronger and longer-lasting plants
- ✓ Suitable for both interior and exterior planting projects
- ✓ Available in a variety of sizes to fit all containers and pots
- ✓ Can be planted at different depths to suit the plants roots
- ✓ Reservoirs range from 1L all the way up to 25L
- ✓ No mechanical, electrical or moving parts
- ✓ Aerates soil making it healthy to support plant growth

For further information or support, please contact our technical sales advisors:

T: 01423 332 100

E: sales@green-tech.co.uk